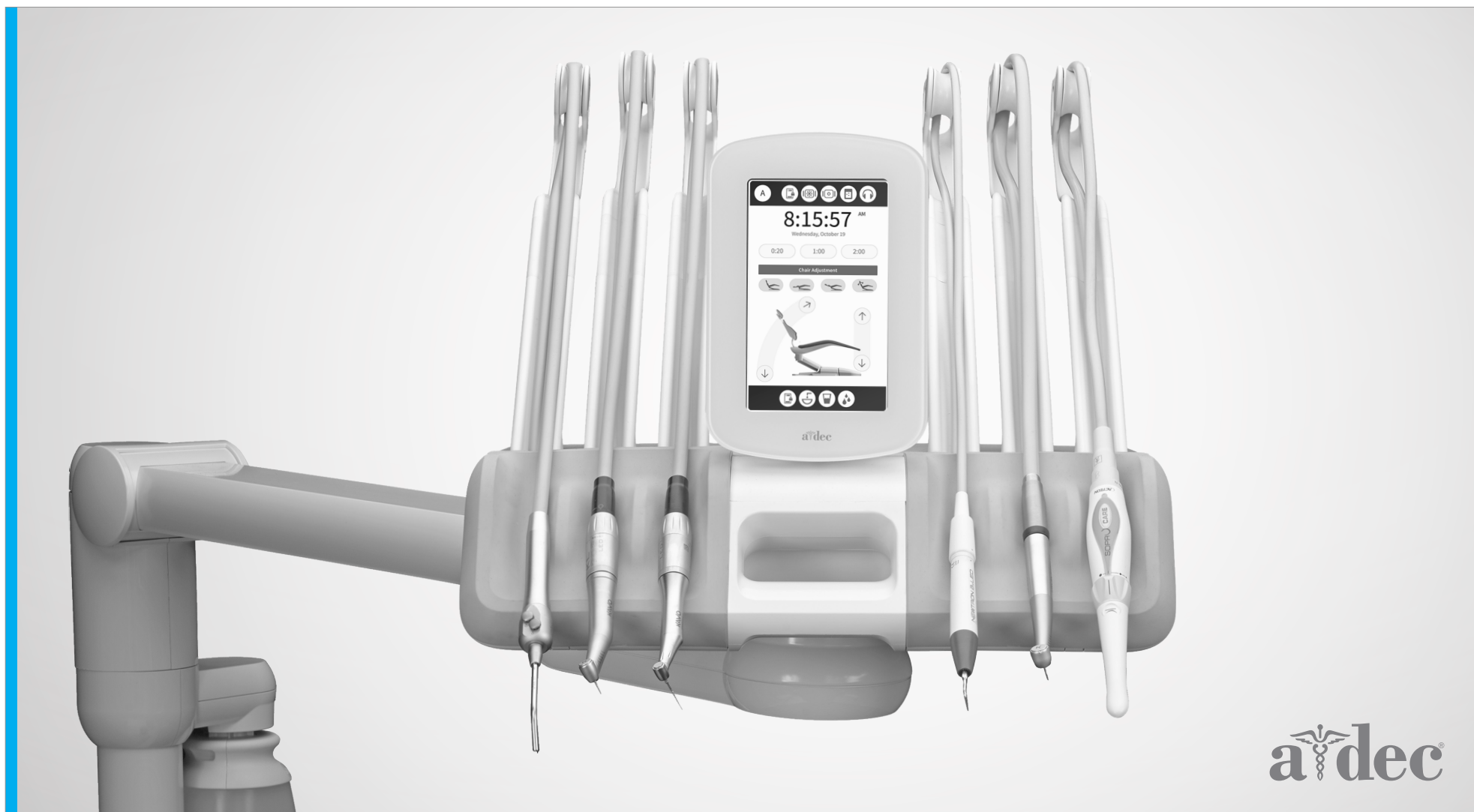


INSTRUCTIONS  
FOR USE

# A-dec® 532pro/533pro

DELIVERY SYSTEMS



a dec®

## Copyright

© 2022 A-dec, Inc. All rights reserved.

A-dec, Inc. makes no warranty of any kind with regard to this material, including, but not limited to, the implied warranties of merchantability and fitness for a particular purpose. A-dec, Inc. shall not be held liable for any errors contained herein or any consequential or other damages concerning the furnishing, performance or use of this material. The information in this document is subject to change without notice. If you find any problems in the documentation, please report them to us in writing. A-dec, Inc. does not warrant that this document is error-free.

No part of this document may be copied, reproduced, altered, or transmitted in any form or by any means, electronic or mechanical, including photocopying, recording, or by any information storage and retrieval system, without prior written permission from A-dec, Inc.

## Intellectual Property Rights

None of the trademarks, trade names, or proprietary symbols and icons in this document may be reproduced, copied, or manipulated in any manner without the express, written approval of the trademark owner.

A-dec, the A-dec design logo, and the trademarks listed at [www.a-dec.com/legal/trademarks](http://www.a-dec.com/legal/trademarks) are trademarks of A-dec, Inc. and are registered in the United States and other countries. Certain touch control symbols and icons are proprietary to A-dec, Inc.

Other trademarks used herein may be claimed as the property of their respective owners. In the United States, Acteon, Satelec, SP Newtron and Color Coding System are trademarks or registered trademarks of Financiere Acteon SAS, Kerr and TF are trademarks or registered trademarks of Kerr Corporation, and KaVo is a registered trademark of KaVo Dental GmbH. These may also be trademarks or registered trademarks in other countries.

## Regulatory Information and Warranty

For required regulatory information and the A-dec warranty, see the *Regulatory Information, Specifications, and Warranty* document (p/n 86.0221.00) available in the Resource Center at [www.a-dec.com](http://www.a-dec.com).



For quick access to this document online, scan, tap, or click this QR code, which points to: [a-dec.com/regulatory-guide](http://a-dec.com/regulatory-guide).

## Product Service

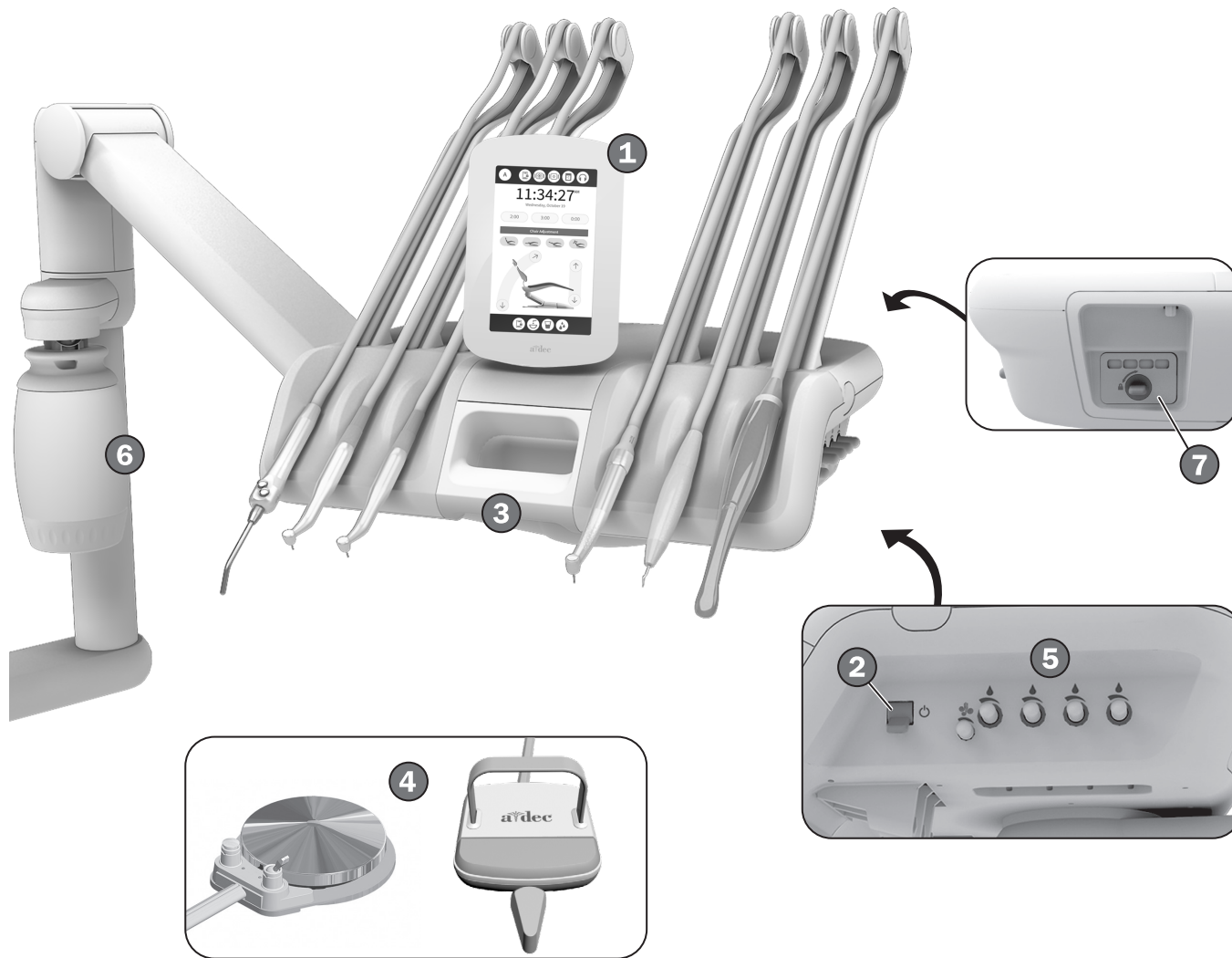
Product service is available through your local authorized A-dec dealer. For service information, or to locate an authorized dealer, contact A-dec at 1.800.547.1883 in the USA and Canada or +1.503.538.7478 worldwide, or visit [www.a-dec.com](http://www.a-dec.com).

## Product Models and Versions Covered in This Document\*

Models	Versions	Description
532pro/533pro	n/a	Delivery System

\* Some product models, versions, and options in this document may not be available in certain regions.

# Content Map

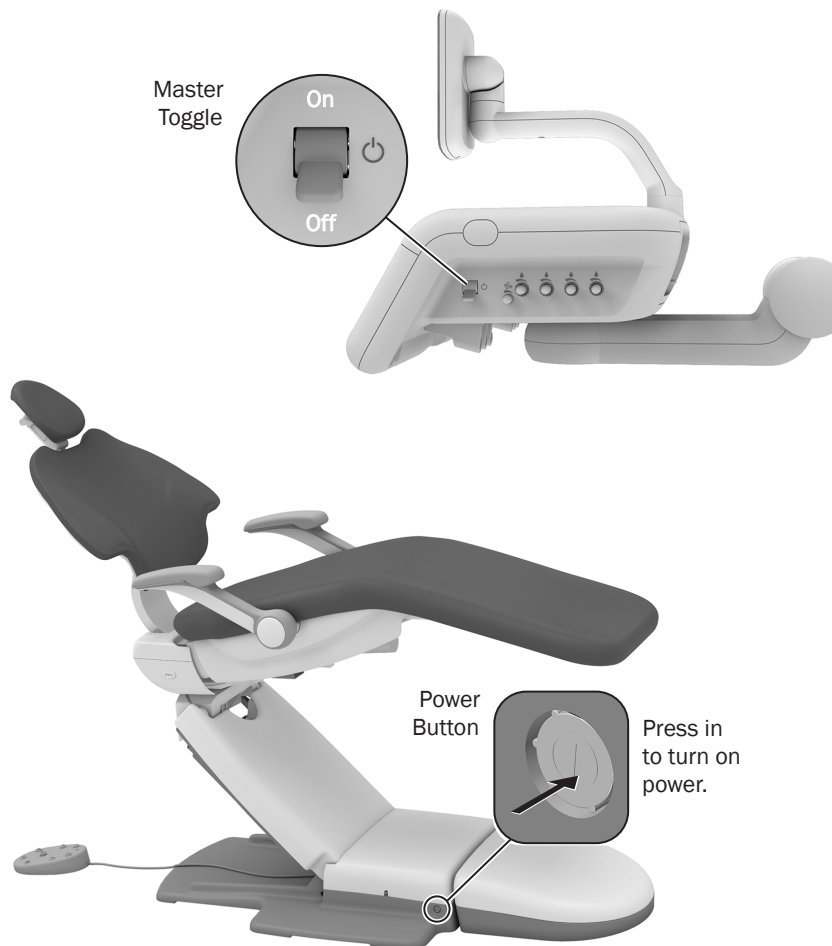


## Features/Topics

1	Touchscreen .....	3
2	Master Toggle .....	2
3	Positive Positioning System .....	5
4	Foot Control .....	6
5	Handpiece Coolant .....	7
6	Self-Contained Water Bottle/ Waterline Maintenance .....	14
7	Oil Collector .....	16
	Handpiece Tubing Flush .....	15
	Utilities .....	17
	Specifications .....	18

# Operate/Adjust

## Turn On/Turn Off the Air, Water, and Power



**NOTE** A-dec recommends that you perform a shock treatment on the dental unit waterlines before you use the system for the first time. For more information, see “Waterline Maintenance” on page 14.

### Master Toggle

Use the master toggle to turn on the system air, water, and power. If there is no power to the system, verify that the power button on the chair is pressed in. This button must be on in order for the master toggle to control system power.

### When to Turn Off the Power

To save energy and reduce the chance of air leaks, press the power button to turn off power at the end of the day and before longer periods of non-use.

## DS7 Touchscreen\*



For touchscreen and control pad use, see the *A-dec Touchscreens and Control Pads Instructions for Use* (p/n 86.0857.00) at [a-dec.com/touchscreen-manual](http://a-dec.com/touchscreen-manual).



For configuring connectivity features, see the *A-dec+™ Instructions for Use* (p/n 86.1030.00) at [a-dec.com/connectivity-manual](http://a-dec.com/connectivity-manual).



\*Note. Touch control symbols and icons are proprietary to A-dec, Inc.

## Chair Safety Features



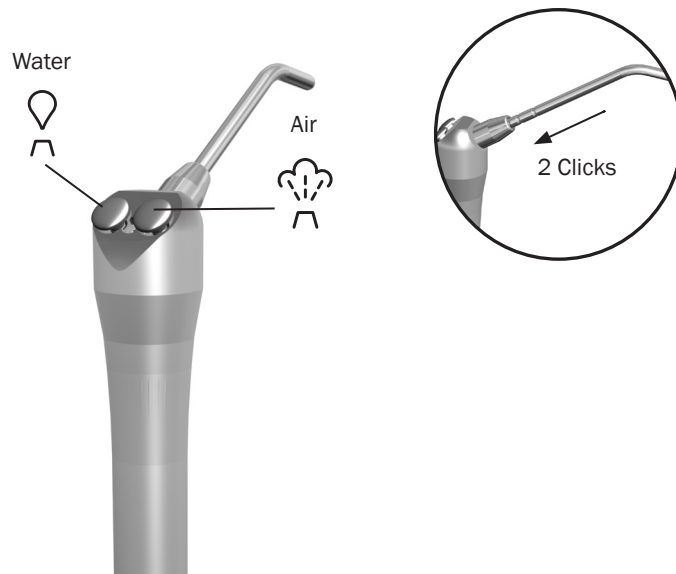
A-dec dental chairs and systems include safety features (like the chair stop plate) that may stop or prevent the chair from moving. This may occur due to any of the following:

- There's an obstruction under the chair or attached module.
- The foot control disc or lever is pressed.
- A handpiece isn't properly seated in its holder.



**NOTE** If the chair stops unexpectedly or won't move, check for and correct any of the conditions listed above. If an obstruction is blocking chair movement, use the touchscreen or footswitch to raise the chair, then remove the obstruction.

## Operate the Autoclavable Syringe

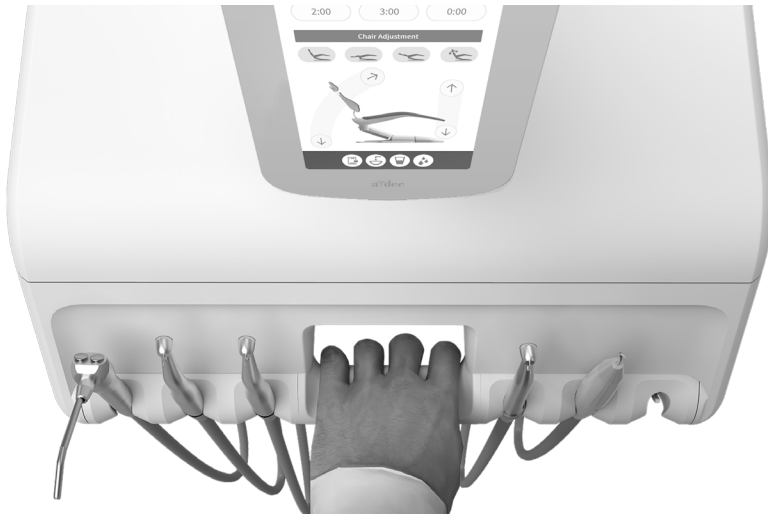


To install the A-dec syringe tip, push the tip in until you feel two clicks. Press both buttons simultaneously for the air/water spray.



**IMPORTANT** For more details on syringe usage and maintenance, see your A-dec syringe Instructions for Use.

## Position the Delivery System

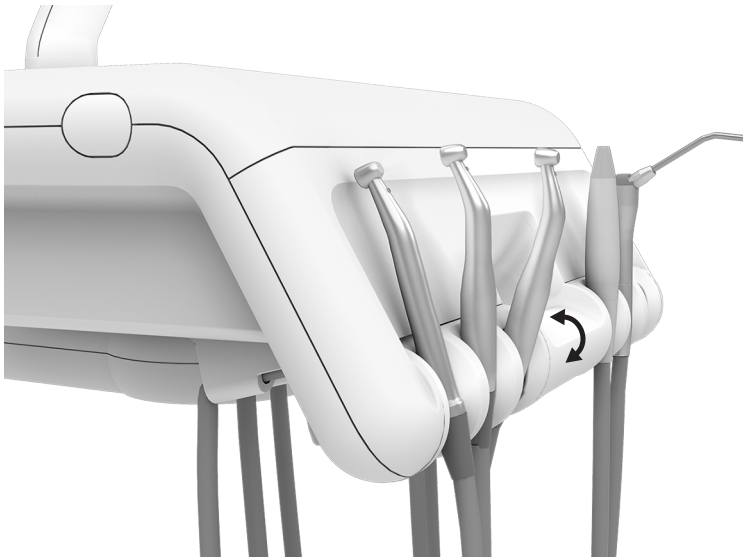


**NOTE** You can place up to 4 pounds (1.8 kg) on top of the system or optional tray holder.

The positive positioning system holds the delivery system in place until you grasp the handle. A sensor detects your grip and releases the brake. To position the system:

1. Grasp the handle.
2. Move the system to the desired location.
3. Release the handle to re-engage the brake.

## Position the Handpiece Holders

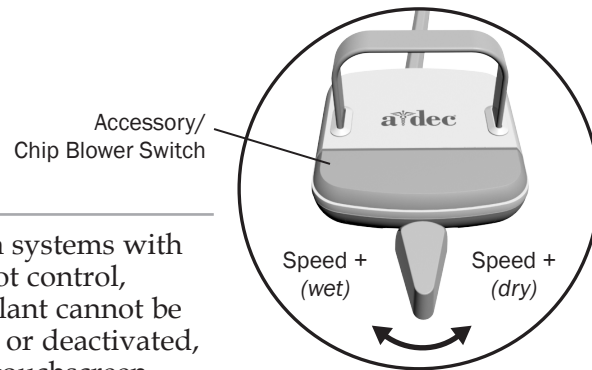
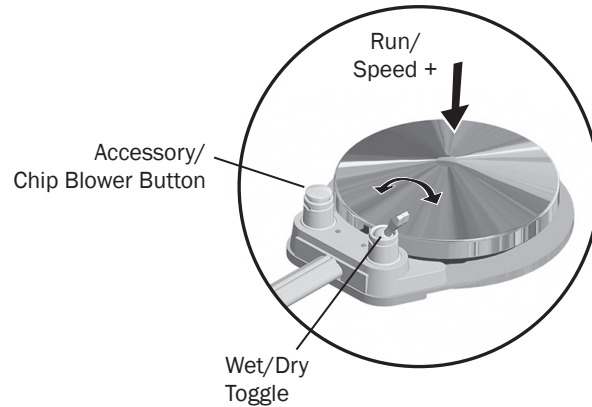


**CAUTION** Do not use a handpiece or other clinical device to adjust the holder or you may damage that device.

On 532pro Traditional delivery systems, you can independently adjust each handpiece holder. Use your hand (or A-dec syringe as leverage) to adjust the holder until you achieve the desired angle.



## Operate the Foot Control




**NOTE** On systems with a lever foot control, water coolant cannot be activated, or deactivated, from the touchscreen.



**NOTE** The lever foot control wet/dry function can be reversed by a technician (change left direction to dry, right direction to wet). For more details, contact your authorized A-dec dealer.

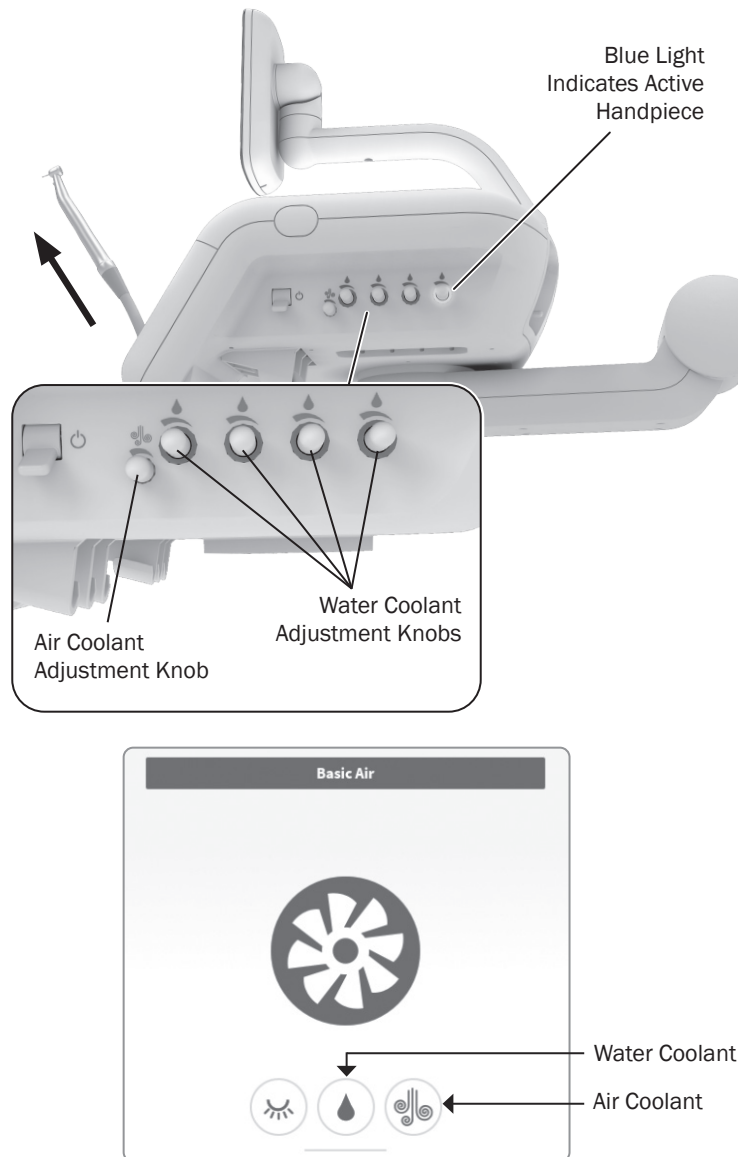
To activate a handpiece, lift it from the holder or pull the whip forward. Use the foot control to perform the desired handpiece operation.

Control	Operation	Procedure
<b>Disc Foot Control</b>	Run a handpiece.	Press on the disc. Push down to increase speed.
	Run a handpiece with or without water coolant.	Press  on the touchscreen to turn the coolant on or off, or flip the wet/dry toggle (which works as a three-way switch in conjunction with the touchscreen). Then press on the disc.
	Run the optional accessory/chip blower.	Press the accessory/chip blower button.*
	Operate the intraoral camera.	Press on the disc to capture an image.*
<b>Lever Foot Control</b>	Run a handpiece with water coolant.	Move the lever to the left. Move farther to increase speed.
	Run a handpiece without water coolant.	Move the lever to the right. Move farther to increase speed.
	Run the optional accessory or chip blower.	Press the accessory/chip blower switch.*
	Operate the intraoral camera.	Move the lever to the left or right to capture an image.*

\* Contact your authorized A-dec dealer for questions about the operation or configuration of your integrated A-dec sanctioned clinical devices.




## Adjust the Handpiece Coolant Spray



**CAUTION** When performing this procedure, do not attempt to completely shut off the water or air flow. The adjustment knobs are not designed to completely shut off flow and can damage the control block if you apply too much force.

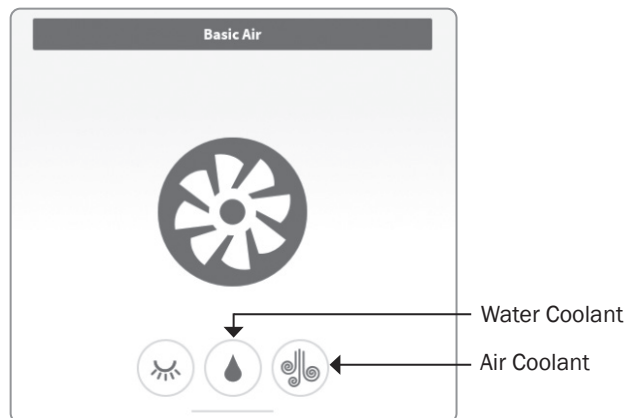
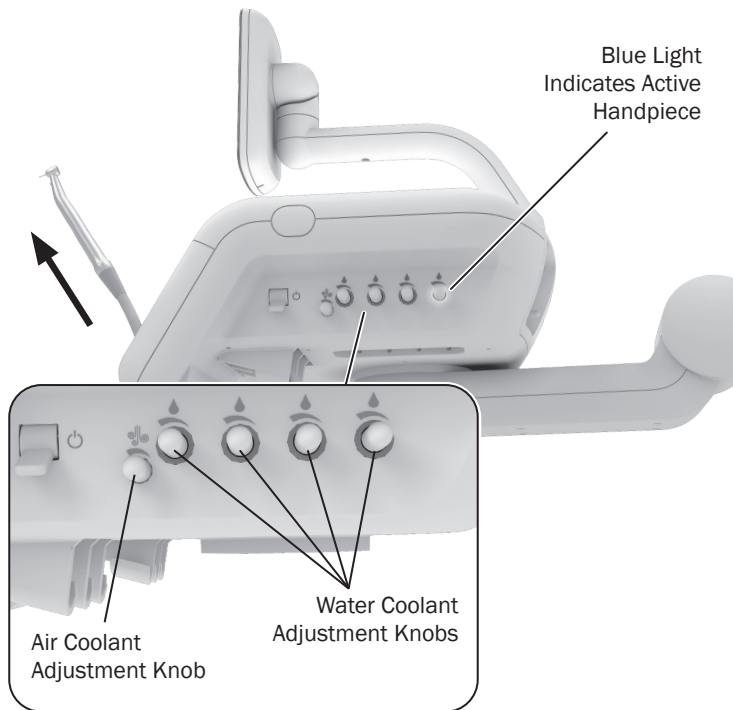
The air coolant knob on your delivery system adjusts air flow to all handpiece positions simultaneously. Each water coolant knob adjusts water flow to a single handpiece position.


Use the following process to adjust handpiece coolant atomization:

1. Ensure that a bur is inserted into each handpiece you expect to adjust.
2. Withdraw a handpiece.
3. Select  on the touchscreen to turn off the air coolant.
4. Do one of the following:
  - **Disc foot control:** use the touchscreen or wet/dry toggle to turn on the water coolant, then press the disc all the way down.
  - **Lever foot control:** move the lever all the way to the left to run the handpiece at full speed with water.
5. Gently turn the water coolant adjustment knob (to the corresponding handpiece) clockwise until coolant flow stops. Then slowly turn the knob counterclockwise until water droplets are expelled from every water port on the handpiece head.
6. Release the foot control and return the handpiece to its holder.
7. Repeat steps 2 through 6 for each handpiece.

*Continue with step 8 on page 8.*

## Adjust the Handpiece Coolant Spray *(continued)*



8. Withdraw the handpiece and press  on the touchscreen to turn on the air coolant.
9. Fully press the foot control.
10. Locate the air coolant adjustment knob. Adjust the air coolant until you achieve the desired atomization at the cutting surface of the bur. Counterclockwise increases flow.



**CAUTION** Do not continue turning the air coolant adjustment knob counterclockwise after the air coolant stops increasing. The stem may come out of the control block.

11. Use the water coolant adjustment knob, as needed, to make any additional fine adjustments in water coolant output.
12. Repeat steps 8 through 11 for each handpiece.

## Adjust Handpiece Drive Air Pressure



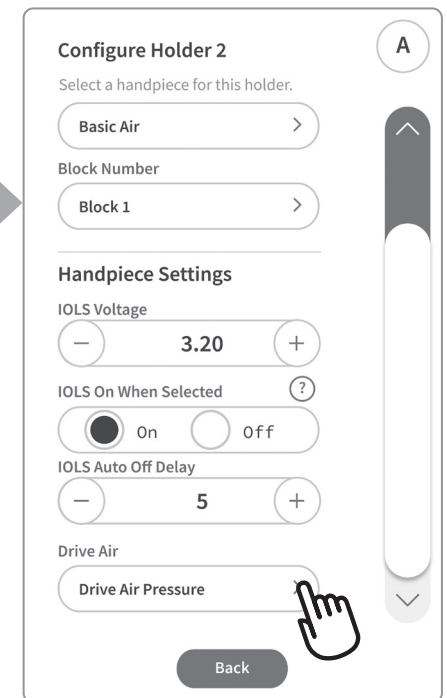
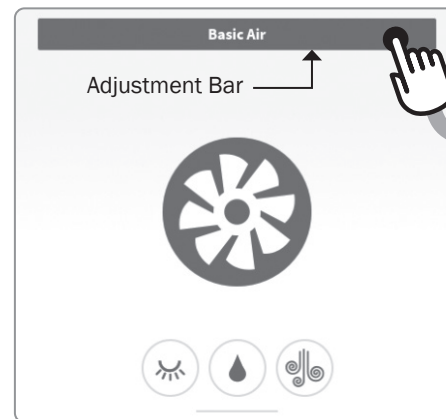
**TIP** When you lift the handpiece, or pull the whip forward, a blue light around the water coolant adjustment knob indicates which handpiece is active. Use the light to locate the corresponding drive air adjustment stem under the delivery system.



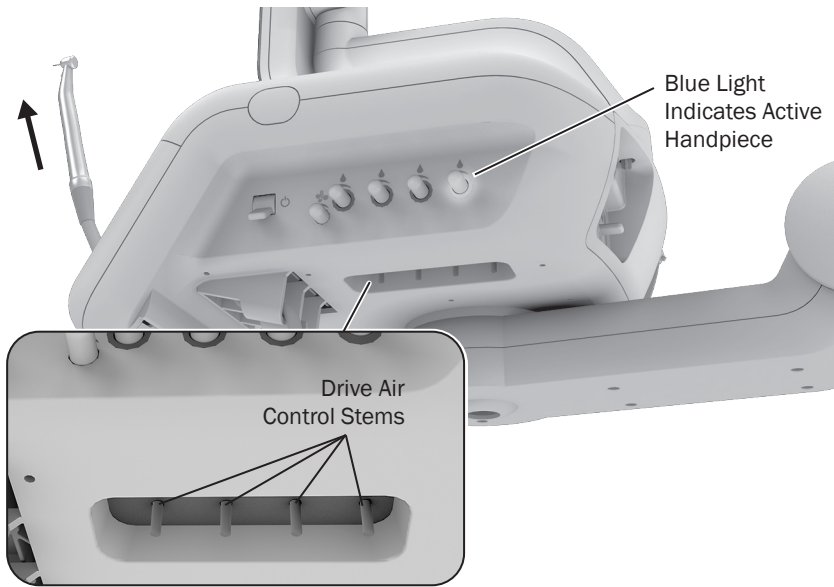
**NOTE** Drive air pressure may be lower at the handpiece than what is shown on the touch control. Pressure can also be measured with a handpiece pressure gauge.

In order to read drive air pressure from the DS7 touchscreen, a handpiece must be attached to the tubing. To access the drive air pressure settings:

1. Withdraw the handpiece.
2. On the touchscreen, select and hold the adjustment bar.
3. Scroll down to **Drive Air**, select **Drive Air Pressure**, then complete the following steps on page 10.



## Adjust Handpiece Drive Air Pressure *(continued)*

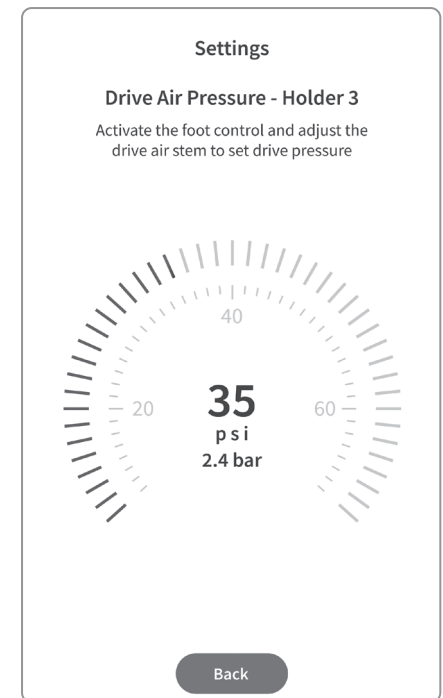


**TIP** When you lift the handpiece, or pull the whip forward, a blue light around the water coolant adjustment knob indicates which handpiece is active. You can use this indicator to also help locate the corresponding drive air control stem under the delivery system.

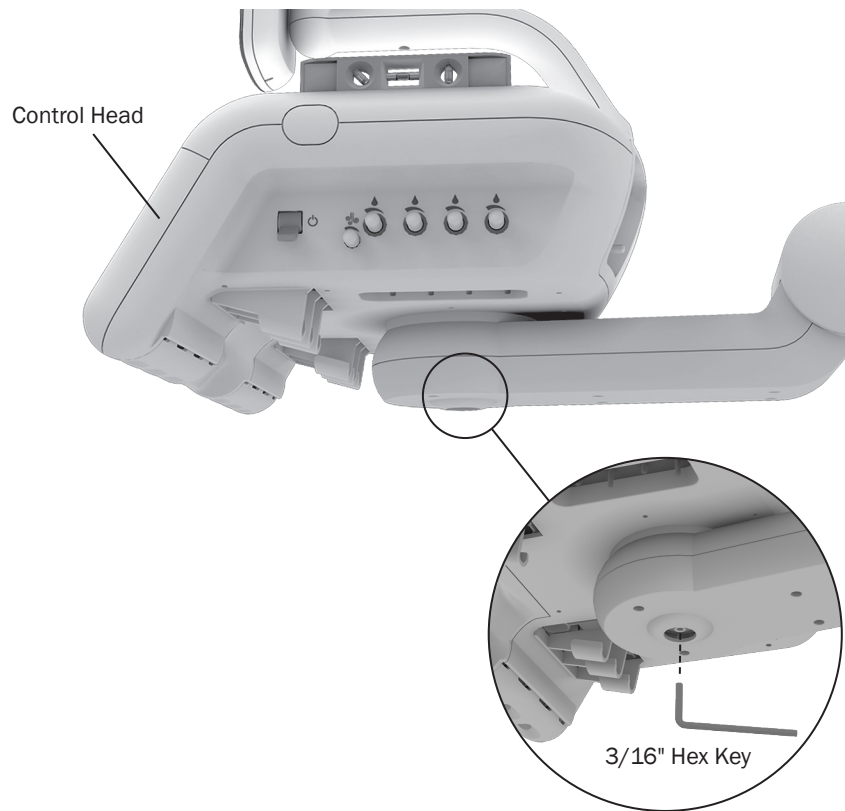


**CAUTION** Exceeding the manufacturer's recommended drive air pressure increases the risk of damage and may significantly decrease the life of your handpiece components. For the proper drive air pressure, see the handpiece manufacturer's Instructions for Use.

4. With the handpiece withdrawn, do one of the following:
  - **Disc foot control:** flip the wet/dry toggle to dry, and press the disc all the way down.
  - **Lever foot control:** move the lever all the way to the right.
5. Locate the corresponding drive air control stem under the delivery system control head.
6. Refer to the touchscreen while you adjust the drive air pressure to meet the handpiece manufacturer's specifications. Turn the control stem clockwise to decrease flow and counterclockwise to increase flow.



## Level the Control Head

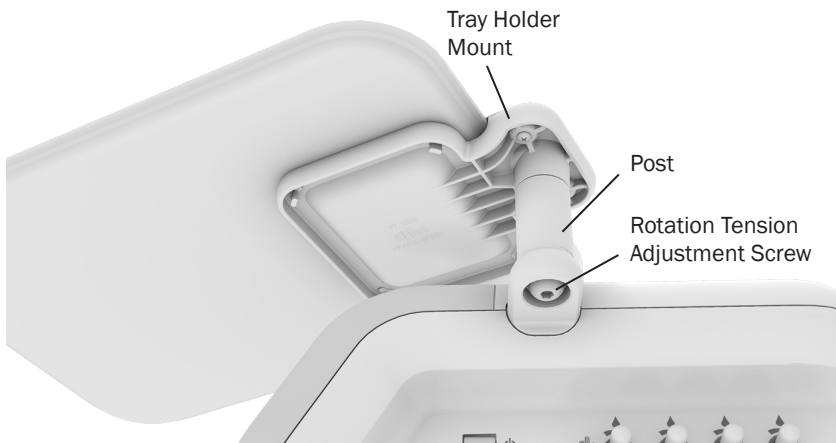


If the system is tilted front to back or side to side, level the control head.

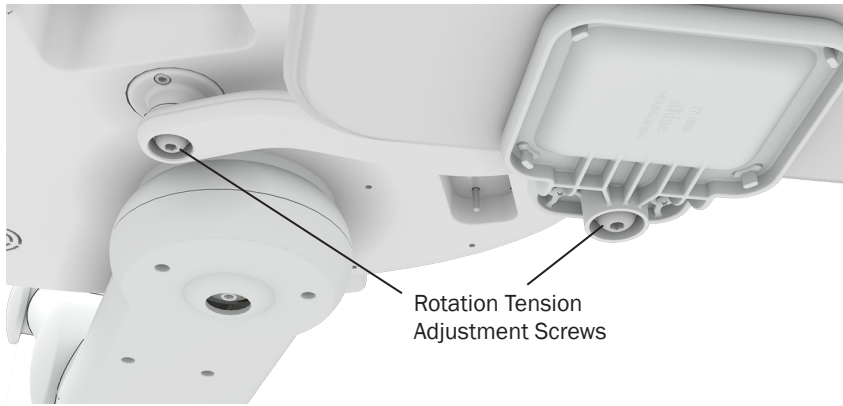
1. Place the control head in its normal operating position, then raise the chair.
2. Place a level on top of the system.
3. Use a 3/16" hex key to loosen the adjustment screw just enough to move the control head.
4. Level the control head side to side and front to back.
5. Tighten the adjustment screw.

## Adjust the Tray Holder Mount Rotation Tension

If the tray holder mount is difficult to move, or moves too easily, use a 7/32" hex key to adjust the rotation tension. To make the adjustment easier on the upper tray holder, hold the post while you adjust the tension screw. Clockwise increases the tension.



Upper Tray Holder Mount

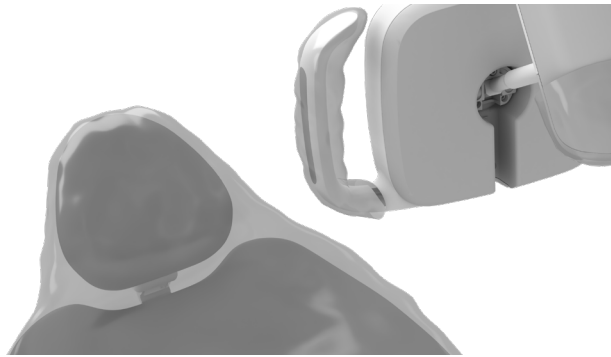


Lower Tray Holder Mount (Continental® Delivery Systems Only)

# Clean/Maintain

---

## Protect with Barriers



**NOTE** For proper use and disposal of barriers, see the barrier manufacturer's Instructions for Use.

---



**IMPORTANT** For recommendations on cleaning and chemical disinfection of touch and transfer surfaces (where barrier protection is not applicable or when barriers are compromised), please see the *A-dec Equipment Asepsis Guide* (p/n 85.0696.00).

---

A-dec recommends barrier protection for all applicable touch and transfer surfaces. Touch surfaces are areas that come into contact with hands and become potential cross-contamination points during dental procedures. Transfer surfaces are areas that come into contact with instruments and other inanimate objects.

In the USA, barriers must be produced under the Current Good Manufacturing Practice (CGMP) as specified by the U.S. Food and Drug Administration (USFDA). For regions outside the USA, refer to the medical device regulations specific to your location.



## Waterline Maintenance



A-dec recommends that you use ICX Renew® dental unit waterline shock treatment\* before you use the system for the first time.

For on-going waterline maintenance, A-dec recommends a three-part protocol:

- Continuous use of A-dec ICX® waterline treatment tablets
- Regularly monitor the water quality in your dental equipment
- Shock treatment whenever the test results exceed your established water quality action level

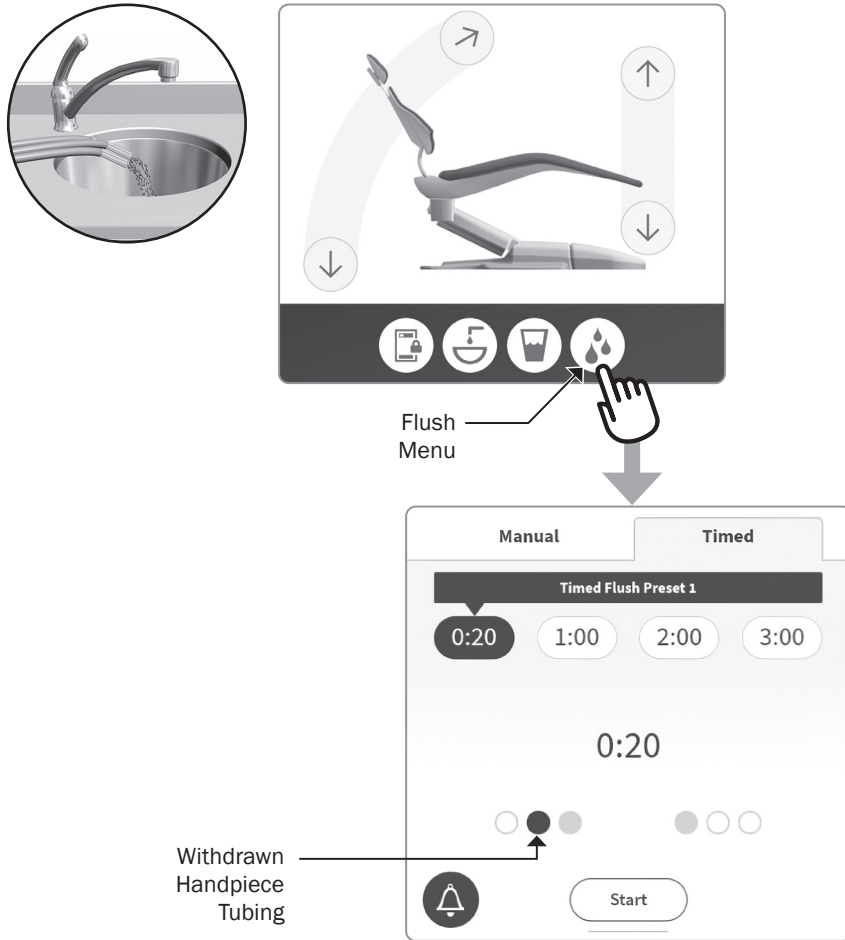


**IMPORTANT** For complete details on how to maintain good water quality, see the appropriate Instructions for Use provided with your A-dec waterline maintenance products. For quick access to these documents online, scan, tap, or click the QR code below.




\* Note. ICX Renew may be sold under different names in different regions.

## Flush the Handpiece Tubing

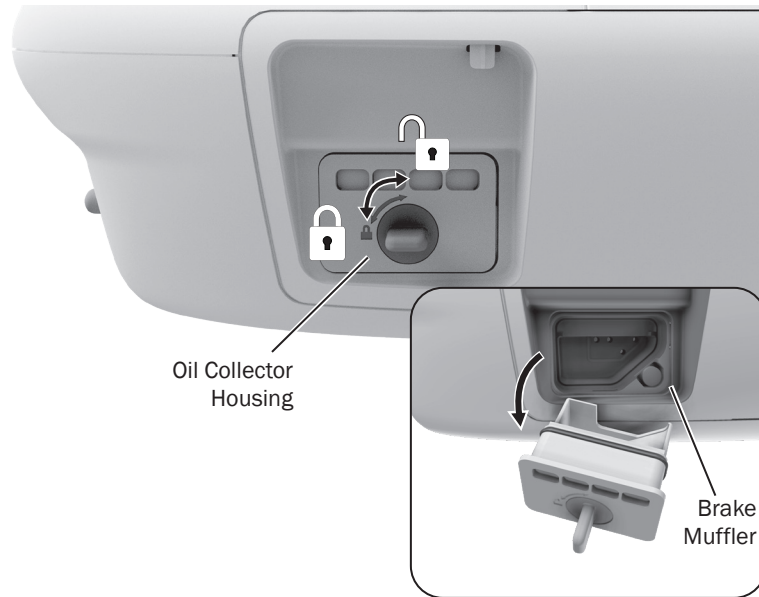


**NOTE** Flush all handpiece tubing (air and waterlines) in accordance with the regulations in your area. If no regulations exist, flush the tubing for a minimum of 20–30 seconds at the beginning of the day and after each patient.

Use the handpiece flush feature to move a high volume of water through the handpiece tubing. To flush the tubing:

1. Disconnect the handpieces and hold the tubing over a sink, cuspidor bowl, or basin.
2. Select  at the bottom of the touchscreen for the flush menu.
3. Use the manual or timed controls on the touchscreen to flush the tubing. The solid colored dot indicates which handpiece tubing is withdrawn.

## Maintain the Oil Collector



Service the oil collector on the delivery system once a week for normal use and more often for heavier use. To service:

1. Turn the oil collector housing key clockwise to unlock, then pull out the housing.



**CAUTION** Take care not to grab the delivery system handle while the oil collector housing is removed. The cotton roll will eject if you activate the positive positioning system.

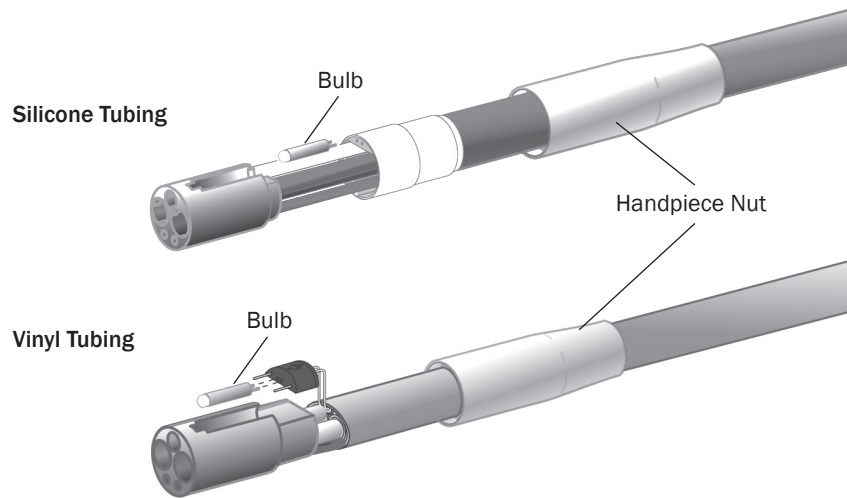
2. Remove and replace the old cotton gauze (use two 2" x 2" [51 mm x 51 mm] pads folded in half).



**NOTE** Do not replace the cotton roll in the right corner of the oil collector. This is a brake muffler that rarely needs replacement. For more information, see your local authorized A-dec dealer.

3. Reinsert the housing and turn the key counterclockwise to lock.

## Bulb for Fiber-Optic Tubing

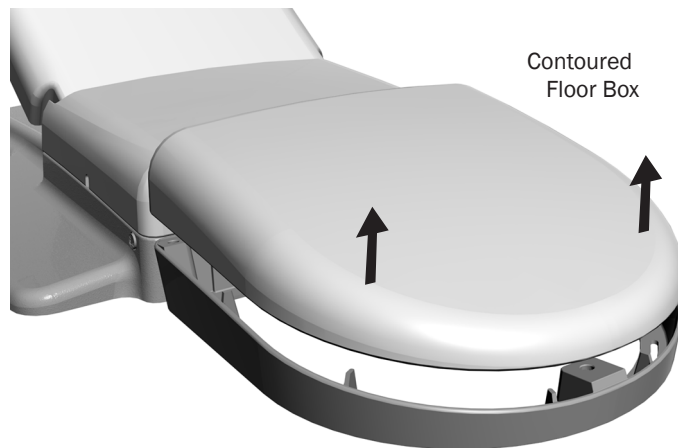


**IMPORTANT** To replace the bulb in your handpiece or quick-disconnect coupling, see your handpiece Instructions for Use.

To replace the bulb in your fiber-optic 5-hole silicone or vinyl tubing:

1. Disconnect the handpiece and quick-connector coupling from the tubing.
2. Pull back the metal handpiece nut.
3. Slide back the metal portion of the handpiece terminal (silicone tubing only).
4. Replace the bulb.
5. Reinsert the metal portion of the terminal into the plastic portion (silicone tubing only).
6. Carefully slide the handpiece nut back over terminal.

## Access the Utilities

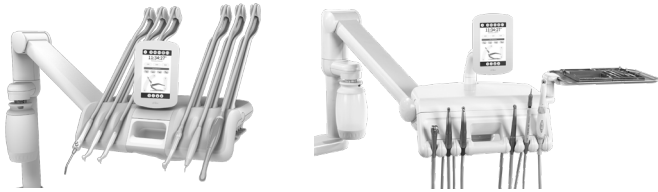


**WARNING** Shock hazard. When you remove or replace the covers, take care not to damage any wiring or tubing. Verify that the covers are secure after you replace them.

The system utilities are located in the contoured floor box under your chair and typically include the electrical outlet, as well as the system hookups for air, water, and vacuum. To access, lift the cover up and off the floor box frame. For maintenance, contact your local authorized A-dec dealer.

# Specifications

---



## System Accessory Load

Maximum accessory load capacity: 4 lb (1.8 kg)  
*(in addition to integrated accessories)*



**IMPORTANT** For electrical specifications, identification of symbols, and other regulatory requirements, see the *Regulatory Information, Specifications, and Warranty* document (p/n 86.0221.00) available in the Resource Center at [www.a-dec.com](http://www.a-dec.com).



For quick access to this document online, scan, tap, or click this QR code, which points to: [a-dec.com/regulatory-guide](http://a-dec.com/regulatory-guide).



**NOTE** Specifications are subject to change without notice. Requirements may vary depending on your location. For more information, contact your authorized A-dec dealer.

---











 **A-dec Headquarters**

2601 Crestview Drive  
Newberg, Oregon 97132  
United States  
Tel: 1.800.547.1883 within USA/CAN  
Tel: +1.503.538.7478 outside USA/CAN  
[www.a-dec.com](http://www.a-dec.com)

**A-dec Australia**

Unit 8  
5-9 Ricketty Street  
Mascot, NSW 2020  
Australia  
Tel: 1.800.225.010 within AUS  
Tel: +61.(0).2.8332.4000 outside AUS

**A-dec China**

A-dec (Hangzhou) Dental Equipment Co., Ltd.  
Building 5, No. 528 Shunfeng Road  
Tangqi Town, Yuhang District,  
Hangzhou, Zhejiang, China 311100  
Tel: 400.600.5434 within China  
Tel: +86.571.89026088 outside China

**A-dec United Kingdom**

Austin House  
11 Liberty Way  
Nuneaton, Warwickshire CV11 6RZ  
England  
Tel: 0800.ADEC.UK (2332.85) within UK  
Tel: +44.(0).24.7635.0901 outside UK



86.0986.00 Rev A  
Date of Issue 2022-12-16  
Copyright 2022 A-dec, Inc.  
All rights reserved.